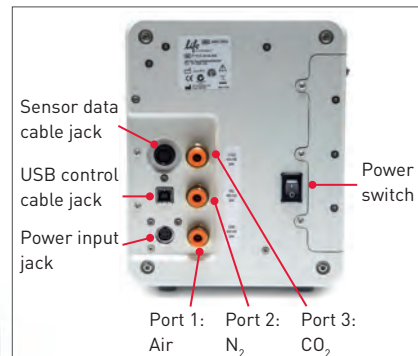




Control Unit Instrument Panel



# EVOS®

### Limited Product Warranty

Life Technologies Corporation and/or its affiliate(s) warrant their products as set forth in the Life Technologies' General Terms and Conditions of Sale found on Life Technologies' website at [www.lifetechnologies.com/termsandconditions](http://www.lifetechnologies.com/termsandconditions). If you have any questions, please contact Life Technologies at [www.lifetechnologies.com/support](http://www.lifetechnologies.com/support).

### DISCLAIMER

LIFE TECHNOLOGIES CORPORATION AND/OR ITS AFFILIATE(S) DISCLAIM ALL WARRANTIES WITH RESPECT TO THIS DOCUMENT, EXPRESSED OR IMPLIED, INCLUDING BUT NOT LIMITED TO THOSE OF MERCHANTABILITY, FITNESS FOR A PARTICULAR PURPOSE, OR NON-INFRINGEMENT. TO THE EXTENT ALLOWED BY LAW, IN NO EVENT SHALL LIFE TECHNOLOGIES AND/OR ITS AFFILIATE(S) BE LIABLE, WHETHER IN CONTRACT, TORT, WARRANTY, OR UNDER ANY STATUTE OR ON ANY OTHER BASIS FOR SPECIAL, INCIDENTAL, INDIRECT, PUNITIVE, MULTIPLE OR CONSEQUENTIAL DAMAGES IN CONNECTION WITH OR ARISING FROM THIS DOCUMENT, INCLUDING BUT NOT LIMITED TO THE USE THEREOF.

### Limited Use Label License: Research Use Only

The purchase of this product conveys to the purchaser the limited, non-transferable right to use the purchased amount of the product only to perform internal research for the sole benefit of the purchaser. No right to resell this product or any of its components is conveyed expressly, by implication, or by estoppel. This product is for internal research purposes only and is not for use in commercial applications of any kind, including, without limitation, quality control and commercial services such as reporting the results of purchaser's activities for a fee or other form of consideration. For information on obtaining additional rights, please contact [outlicensing@lifetech.com](mailto:outlicensing@lifetech.com) or Out Licensing, Life Technologies Corporation, 5791 Van Allen Way, Carlsbad, California 92008.

### Trademarks

The trademarks mentioned herein are the property of Life Technologies Corporation and/or its affiliate(s) or their respective owners.

© 2013 Life Technologies Corporation. All rights reserved.

### Headquarters

5791 Van Allen Way | Carlsbad, CA 92008 USA | Phone +1 760 603 7200 | Toll Free in USA 800 955 6288

For support visit [lifetechnologies.com/support](http://lifetechnologies.com/support) or email [techsupport@lifetech.com](mailto:techsupport@lifetech.com)

[lifetechnologies.com](http://lifetechnologies.com)

17 July 2013



## QUICK REFERENCE



# EVOS® Onstage Incubator

Catalog Number AMC1000

Doc. Part no. ZP-PKGA-0633

Pub. no. MAN0008920

Rev. 1.0

For Research Use Only. Not for use in diagnostic procedures.



Onstage incubator heated hose

Hose heater connector

Sensor data cable

Stagetop environmental chamber

Control unit

5



## Overview

The EVOS® Onstage Incubator (Cat. no. AMC1000) is an optional accessory for the EVOS® FL Auto Imaging System that enables the incubation of cells on the automatic X-Y axis stage, allowing the capture of images from the same sample over long periods of time and the recording of time lapse movies.

The EVOS® Onstage Incubator consists of a Stagetop Environmental Chamber that is placed on the automatic X-Y stage of the imaging system and a separate Control Unit that supplies the power and gas (air or air-CO<sub>2</sub> premix, CO<sub>2</sub>-only, and N<sub>2</sub>-only). The EVOS® Onstage Incubator is controlled by the same software and user interface that controls the EVOS® FL Auto Imaging System.

## Standard Items Included

- Stagetop environmental chamber
- Control unit
- Master stage plate
- Vessel holder for multi-well plates
- Light shield retainer (included only when required)
- Cable with 6-pin connector
- Cable, USB A-to-B
- Heated hose with temperature control
- Gas line, 1/8" ID, 1/4" OD
- Push-to-connect gas line adaptor (3 each)
- Standard-head open-end wrench
- Hex screw driver
- Power Cord, Type A (North America)

**Note:** For more information on the EVOS® Onstage Incubator, refer to the *The EVOS® FL Auto Imaging System User Guide*, which is provided on the *USB flash drive with the imaging system*. You can also download it from the *EVOS® FL Auto Imaging System product page* at [www.lifetechnologies.com](http://www.lifetechnologies.com).

## Install Master Plate

1. Remove the X-Y stage base plate 1 from the EVOS® FL Auto X-Y stage 2 by unscrewing the four 3.0-mm screws on the base plate (indicated by red arrows).



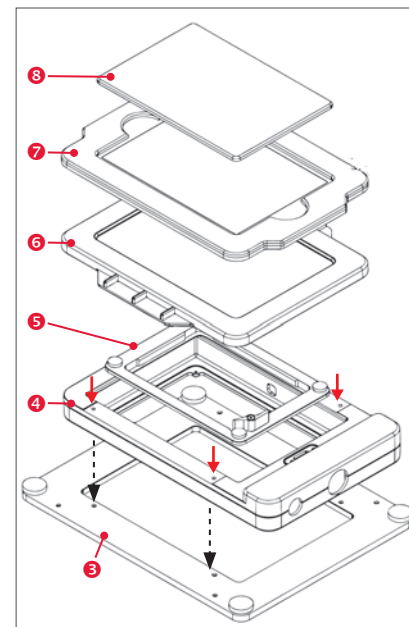
2. Secure the onstage incubator master plate 3 to the X-Y stage 2 using the four thumb screws (indicated by red arrows).



2

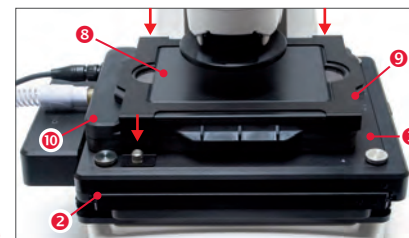
## Assemble Stagetop Environmental Chamber

1. Place the incubator chamber 4 on the onstage incubator master plate 3 and secure it in place using the four 2.0-mm hex screws (indicated by red arrows).
2. Attach the vessel holder/adaptor 5 to the incubator chamber 4 using the four thumb screws.
3. Place the heated glass lid 6 with the no-fog glass window on the incubator chamber 4. The heated glass lid is guided and held secure in its place by the two magnets on its rim.
4. Place the light shield 7 with tinted plastic window on top of the heated glass lid. Use of the light shield is required for fluorescence imaging applications.
5. If desired, place the light shield cover 8 on the light shield for fluorescence imaging applications.
6. When you are ready for acquiring images, secure the Stagetop Environmental Chamber to the X-Y stage using the light shield retainer 9.



## Install Light Shield Retainer (if included)

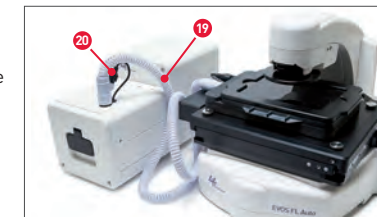
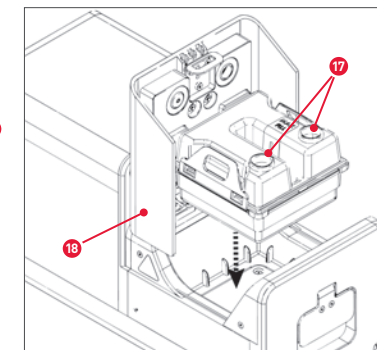
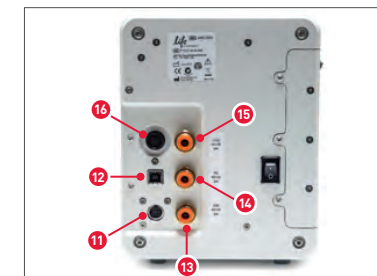
1. Place the Stagetop Environmental Chamber 10 onto the X-Y stage 2.
2. Slide the light shield retainer 9 over the Stagetop Environmental Chamber 10. Make sure the light shield cover 8 is in place.
3. Use the thumbscrews (indicated by red arrows) to tighten the light shield retainer 9 into the onstage incubator master plate 3.



3

## Setup for Operation

1. Plug power cord into the power input jack 11 on the back of the Control Unit and the wall outlet.
2. Plug USB cable into the USB control cable jack 12 on the Control Unit and the USB port on the EVOS® FL Auto computer.
3. Connect each gas line to the appropriate gas tank by pushing the tubing into the PTC (push-to-click) connector until it clicks into place. Pull on tubing slightly to ensure a tight connection.
4. Attach the gas lines to the Control Unit via the PTC connectors for the appropriate gas intake port.
  - If using pre-mixed air, attach to Port 1: Air In 13
  - If using compressed air and CO<sub>2</sub>, attach to Port 1: Air In 13 and Port 3: CO<sub>2</sub> In 15
  - For oxygen displacement, attach to Port 1: Air In 13 and Port 2: N<sub>2</sub> In 14
5. Plug the 6-pin sensor data cable 16 to the Stagetop Environmental Chamber and the appropriate input jack on the Control Unit.
6. Assemble the water reservoir and add warm water to the max fill line through the fill hole 17. Do not overfill the water reservoir.
7. Place the water reservoir into the Control Unit with the fill holes to the front and close the lid 18.
8. Attach the heated hose 19 between the Stagetop Environmental Chamber and the Control Unit.
9. Plug the hose heater cable 20 to the connector on the heated hose.



**Note:** For detailed instructions on using the EVOS® Onstage Incubator, including configuring the gas connections and calibrating the oxygen sensor, refer to the *The EVOS® FL Auto Imaging System User Guide*.

4

